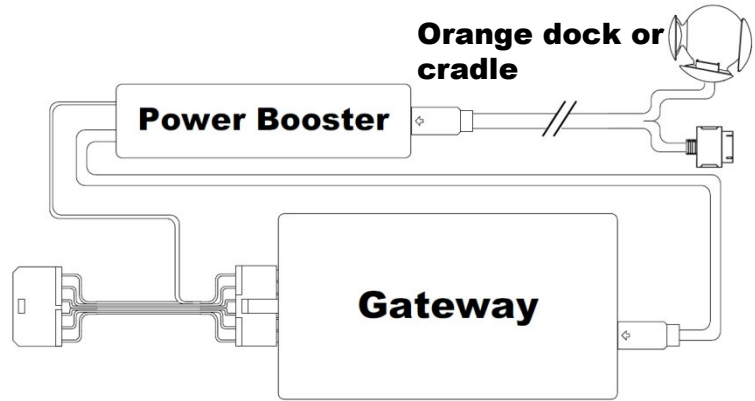


**iPhone 1A charging support
for iPhone 4G and iOS4**

Requirements

- ▶ A sufficient power source
- ▶ Cable designed for higher current



Power Source

- New Power Booster is needed for
- Gateway 500 and Ice>Link Lite (4PIN)
 - Gateway Lite and Gateway 100 (12PIN)
 - Gateway 300 (18 PIN)

Cable/Cradle

- New orange dock cable, or
New 3G Cradle with orange dock (with pads for iPhone 4G)

Compatibility Note

New cables AND 4G iPhone or iOS4 iPhone should not be used on older gateways without the power booster!

For Which Dension Product?	Cable or cradle?	SKUs	SKU description
Gateway 500 Ice>Link Lite (5V version)	Cable	IPO5DC9 + IPB0DIN	4G Power booster with 4 wire connection + iPod dock cable, 9 PIN for 1A charging
Gateway Lite MOST/D2B	Cradle	IP44CR9 + IPB0DIN	4G Power booster with 4 wire connection + iPhone cradle, 9 PIN for 1A charging
Gateway Lite Gateway 100 (5V versions GW16xxx) non CAN and GW300 non CAN	Cable	IPO5DC9 + IPB2DIN	4G Power booster with 12 PIN connection + iPod dock cable, 9 PIN for 1A charging
	Cradle	IP44CR9 + IPB2DIN	4G Power booster with 12 PIN connection + iPhone cradle, 9 PIN for 1A charging
Gateway 100 (5V versions GW16xxx) CAN and GW300 CAN	Cable	IPO5DC9 + IPB8DIN	4G Power booster with 18 PIN connection + iPod dock cable, 9 PIN for 1A charging
	Cradle	IP44CR9 + IPB8DIN	4G Power booster with 18 PIN connection + iPhone cradle, 9 PIN for 1A charging
Gateway Five IVA	Cable	IPO5DC9	iPod dock cable, 9 PIN for 1A charging
	Cradle	IP44CR9	iPhone cradle, 9 PIN for 1A charging